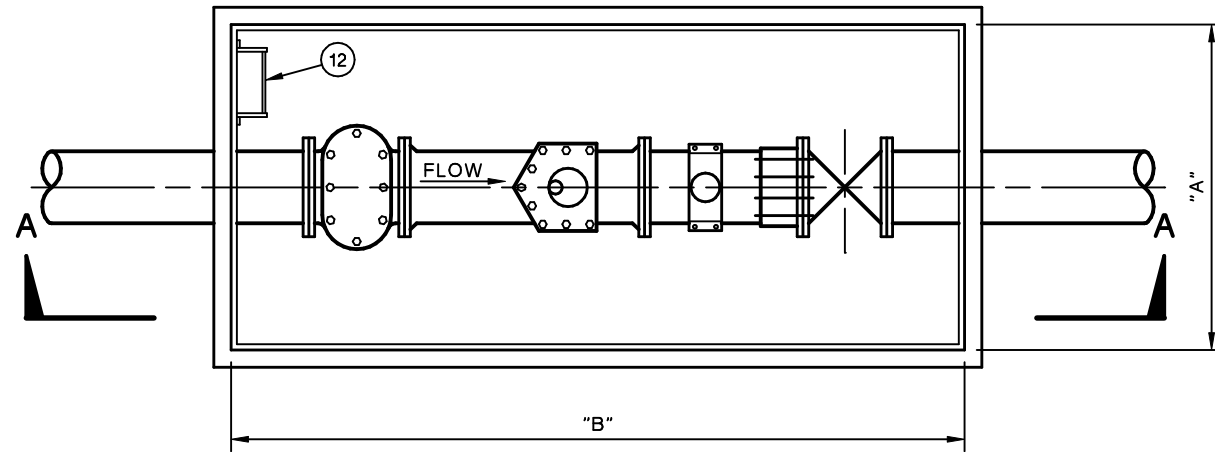
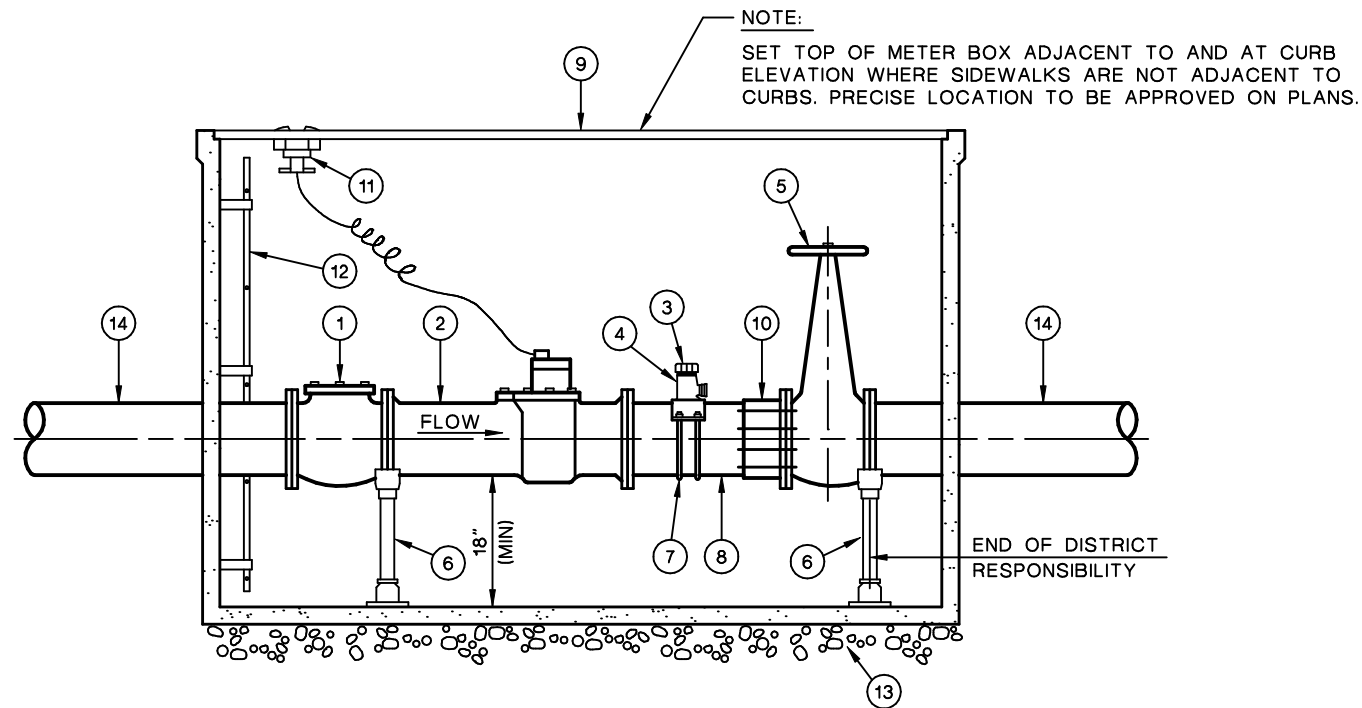


TABLE W-5				
METER SIZE	METER SPECIFICATION	VAULT NO.	VAULT SIZE (MIN.)	
			"A"	"B"
3"	W350 W/ TRPL, 50 CUBIC FOOT RESOLUTION	B4065B-M	4'	6.5'
4"	W1000 W/ TRPL, 500 CUBIC FOOT RESOLUTION	B4065B-M	4'	6.5'
6"	W2000 W/ TRPL, 500 CUBIC FOOT RESOLUTION	B5090B-M	5'	9'
8"	W3500 W/ TRPL, 500 CUBIC FOOT RESOLUTION	B5090B-M	5'	9'
10"	W5500 W/ TRPL, 500 CUBIC FOOT RESOLUTION	B5010B-M	5'	10'



**PLAN**



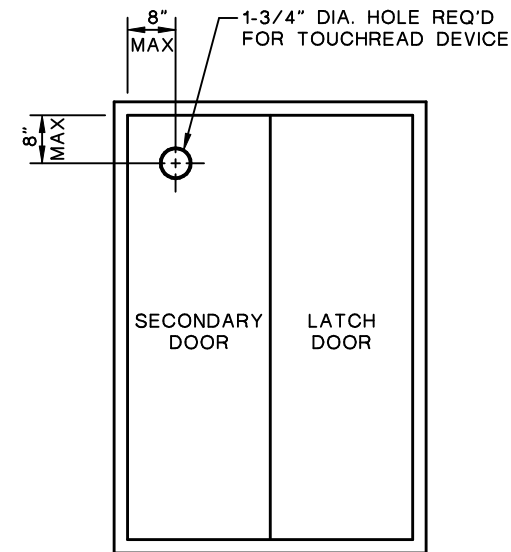
**SECTION A-A**

**CONSTRUCTION ITEMS**

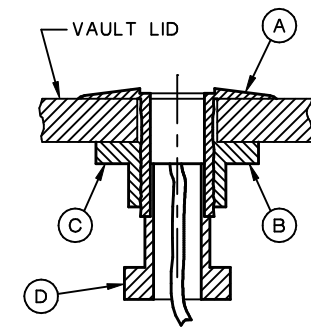
- ① STRAINER
- ② INVENSYS TURBO METER (DISTRICT APPROVED)
- ③ 2" BRASS PLUG
- ④ 2" BALL CORPORATION STOP MIP X FIP
- ⑤ RESILIENT WEDGE VALVE, FLANGED, NRS WITH HANDWHEEL
- ⑥ PIPE SUPPORTS, GRINNEL 264 OR APPROVED EQUAL
- ⑦ J-979 WITH 2" TAP (INSTALLED MINIMUM 3 PIPE DIAMETERS FROM DOWNSTREAM SIDE OF METER)
- ⑧ FLG. x P.E. D.I.P. SPOOL
- ⑨ PRECAST CONCRETE VAULT, EISEL WITH ALUMINUM DIAMOND PLATE COVER, SEE TABLE W-5
- ⑩ FLANGED COUPLING ADAPTER, SMITH BLAIR 912 OR APPROVED EQUAL
- ⑪ TOUCH-READ DEVICE (SEE INSTALLATION DETAIL)
- ⑫ GALVANIZED LADDER, ALHAMBRA A-3400 WITH LADDERUP
- ⑬ PEA GRAVEL, 12" MINIMUM THICKNESS
- ⑭ D.I.P. MAIN LINE, MIN. 6" DIA. PIPE FROM MAIN LINE TO VAULT
- ⑮ MXU RADIO READ TRANSMITTER (DISTRICT WILL INSTALL)

**NOTE**

IDENTIFICATION TAPE AND WARNING TAG ON RECYCLED WATER SYSTEM PER SECTION 15151



**VAULT LID PLAN VIEW  
FIG. 1**



**INSTALLING DEVICE**

1. DRILL 1-3/4" DIA. HOLE THROUGH VAULT LID AS IN FIG. 1.
2. INSERT SENSOR HOUSING (A) THROUGH VAULT LID HOLE FROM ABOVE AND TIGHTEN SECURELY IN PLACE WITH PLASTIC NUT (B).
3. INSERT SENSOR ASSEMBLY (C) CONNECTED TO METERS REGISTER INTO HOUSING AND SECURE IN PLACE WITH SCREW PLUG (D).
4. EXCESS WIRE SHOULD BE COILED LOOSELY (NOT TIED) IN METER VAULT ALLOWING SLACK FOR VAULT LID TO SWING OPEN.

**INSTALLATION DETAILS OF TOUCHREAD DEVICE**