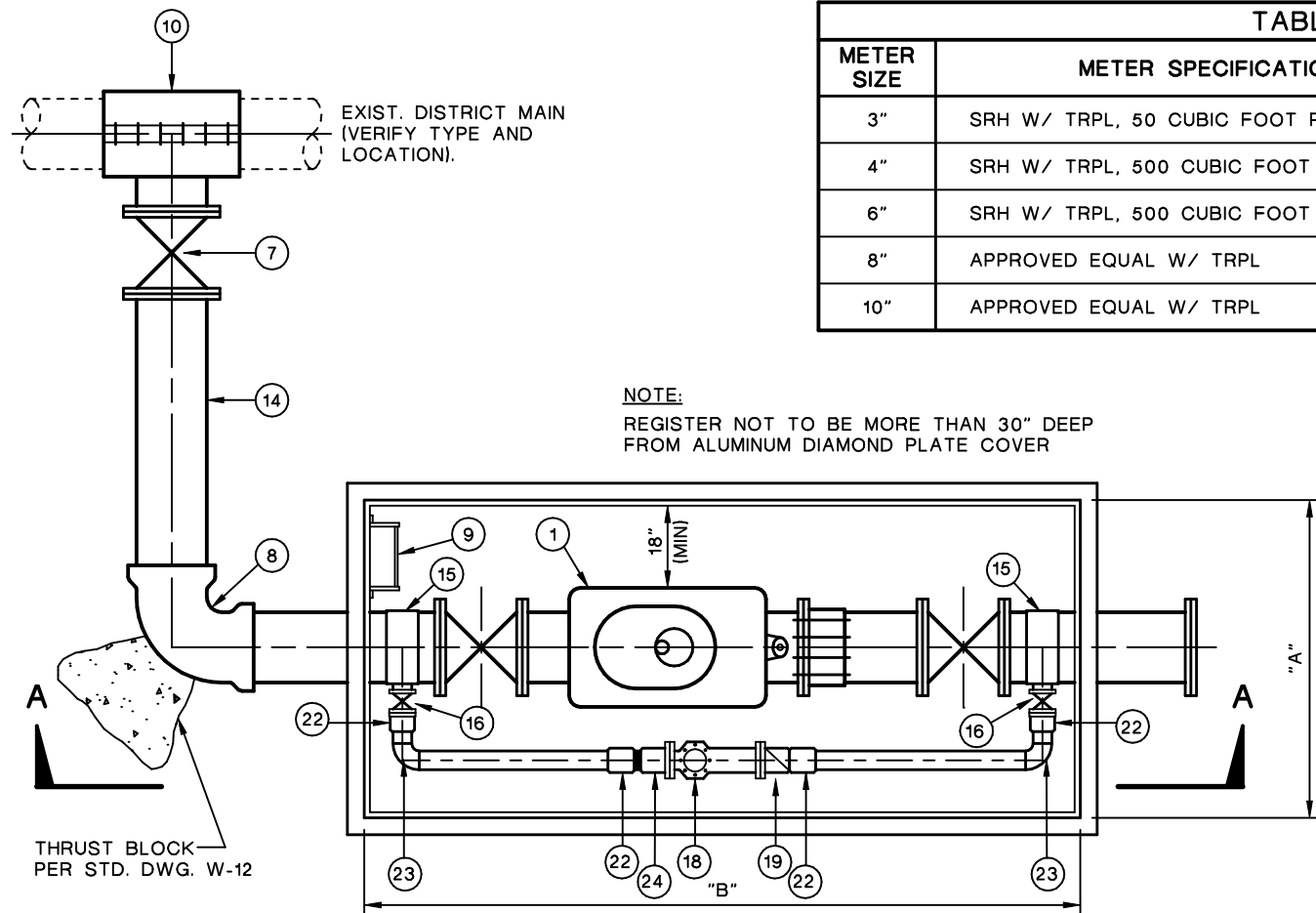


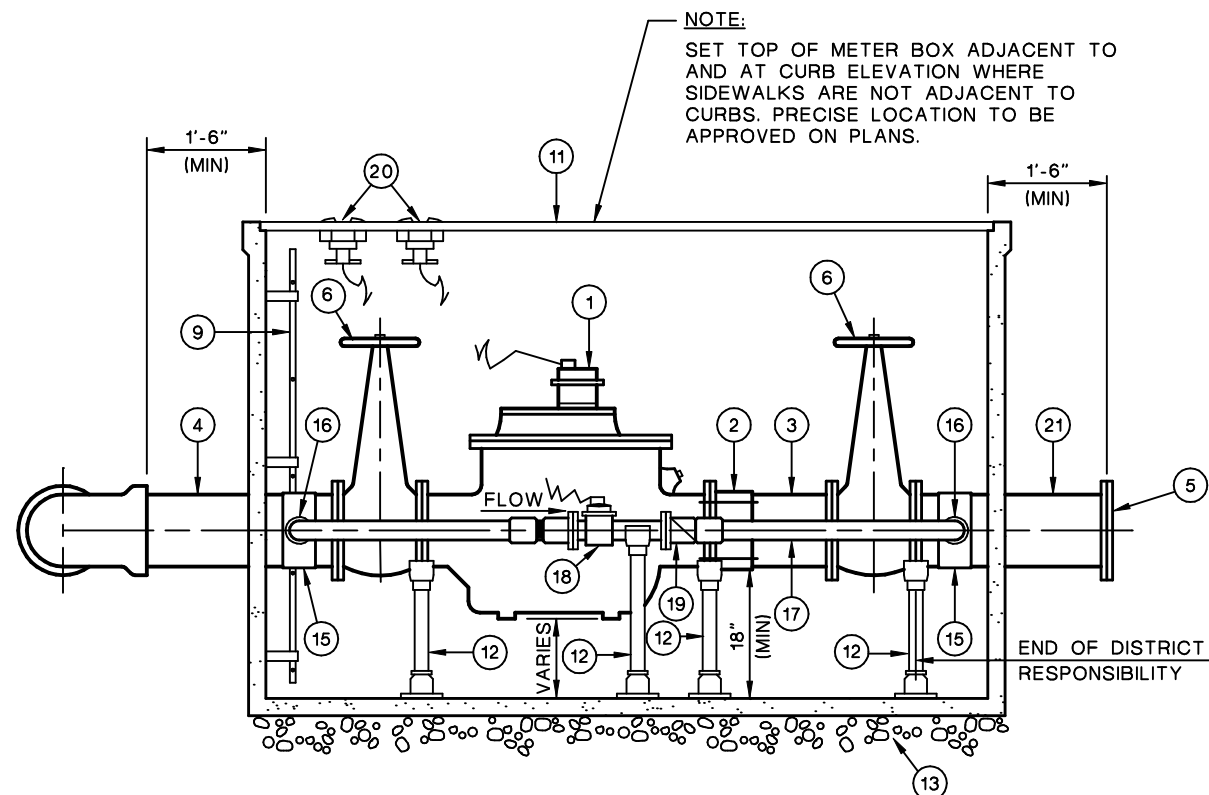
CONSTRUCTION ITEMS

- ① DISTRICT APPROVED METER - SEE TABLE W-4 - INVENSYS METER W/TRPL
- ② FLANGED COUPLING ADAPTER, SMITH-BLAIR 912 OR APPROVED EQUAL
- ③ DUCTILE IRON SPOOL FLG x P.E., 1'-0" LONG
- ④ DUCTILE IRON FLANGED x P.E. SPOOL
- ⑤ DUCTILE IRON BLIND FLANGE
- ⑥ RESILIENT WEDGE VALVE, FLANGED, NRS WITH HANDWHEEL
- ⑦ TAPPING VALVE (IF REQUIRED)
- ⑧ DUCTILE IRON PUSH-ON 90° BEND
- ⑨ GALVANIZED LADDER, ALHAMBRA A-3400 WITH LADDERUP
- ⑩ TAPPING SLEEVE, MUELLER (IF REQUIRED)
- ⑪ PRECAST CONCRETE VAULT EISEL WITH ALUMINUM DIAMOND PLATE COVER - SEE TABLE W-4
- ⑫ PIPE SUPPORTS, GRINNELL NO. 264 OR APPROVED EQUAL
- ⑬ PEA GRAVEL, 12" MINIMUM THICKNESS
- ⑭ DUCTILE IRON PIPE
- ⑮ I.P. SERVICE SADDLE, JONES J-979 OR EQUAL
- ⑯ 2" BALL CORPORATION STOP MIP X FIP VALVE
- ⑰ 2" COPPER (TYPE "K")
- ⑱ 2" TURBO METER SENSUS W/TRPL
- ⑲ 2" CHECK VALVE, METER FLANGE X FIP
- ⑳ TOUCH READ DEVICE (SEE INSTALLATION DETAIL)
- ㉑ DUCTILE IRON FLG x FLG SPOOL
- ㉒ 2" MIP X SWEAT ADAPTER
- ㉓ 2"-90° ELL SWEAT FITTING
- ㉔ 2" METER FLANGE X 2" FIP
- ㉕ MXU RADIO READ TRANSMITTER (DISTRICT WILL INSTALL)

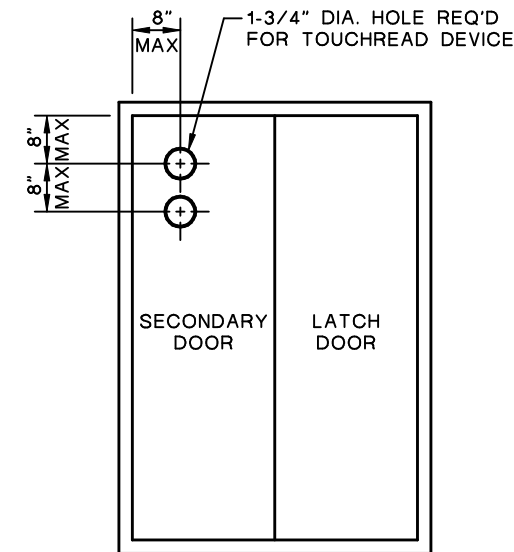
TABLE W-4				
METER SIZE	METER SPECIFICATION	VAULT NO.	VAULT SIZE (MIN.)	
			"A"	"B"
3"	SRH W/ TRPL, 50 CUBIC FOOT RESOLUTION	B4065B-M	4'	6.5'
4"	SRH W/ TRPL, 500 CUBIC FOOT RESOLUTION	B4065B-M	4'	6.5'
6"	SRH W/ TRPL, 500 CUBIC FOOT RESOLUTION	B5090B-M	5'	9'
8"	APPROVED EQUAL W/ TRPL	B5090B-M	5'	9'
10"	APPROVED EQUAL W/ TRPL	B5010B-M	5'	10'



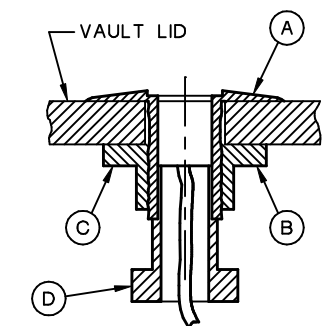
PLAN



SECTION A-A



**VAULT LID PLAN VIEW
FIG. 1**



INSTALLING DEVICE

1. AS IN FIG. 1, DRILL 1-3/4" DIA. HOLE THROUGH VAULT LID
2. INSERT SENSOR HOUSING (A) THROUGH VAULT LID HOLE FROM ABOVE AND TIGHTEN SECURELY IN PLACE WITH PLASTIC NUT (B).
3. INSERT SENSOR ASSEMBLY (C) CONNECTED TO METERS REGISTER INTO HOUSING AND SECURE IN PLACE WITH SCREW PLUG (D).
4. EXCESS WIRE SHOULD BE COILED LOOSELY (NOT TIED) IN METER VAULT ALLOWING SLACK FOR VAULT LID TO SWING OPEN.

INSTALLATION DETAILS OF TOUCHREAD DEVICE

MOULTON NIGUEL WATER DISTRICT

**3", 4", 6", 8" AND 10" STANDARD METER
COMMERCIAL CONTINUOUS FLOW METER**

W-4