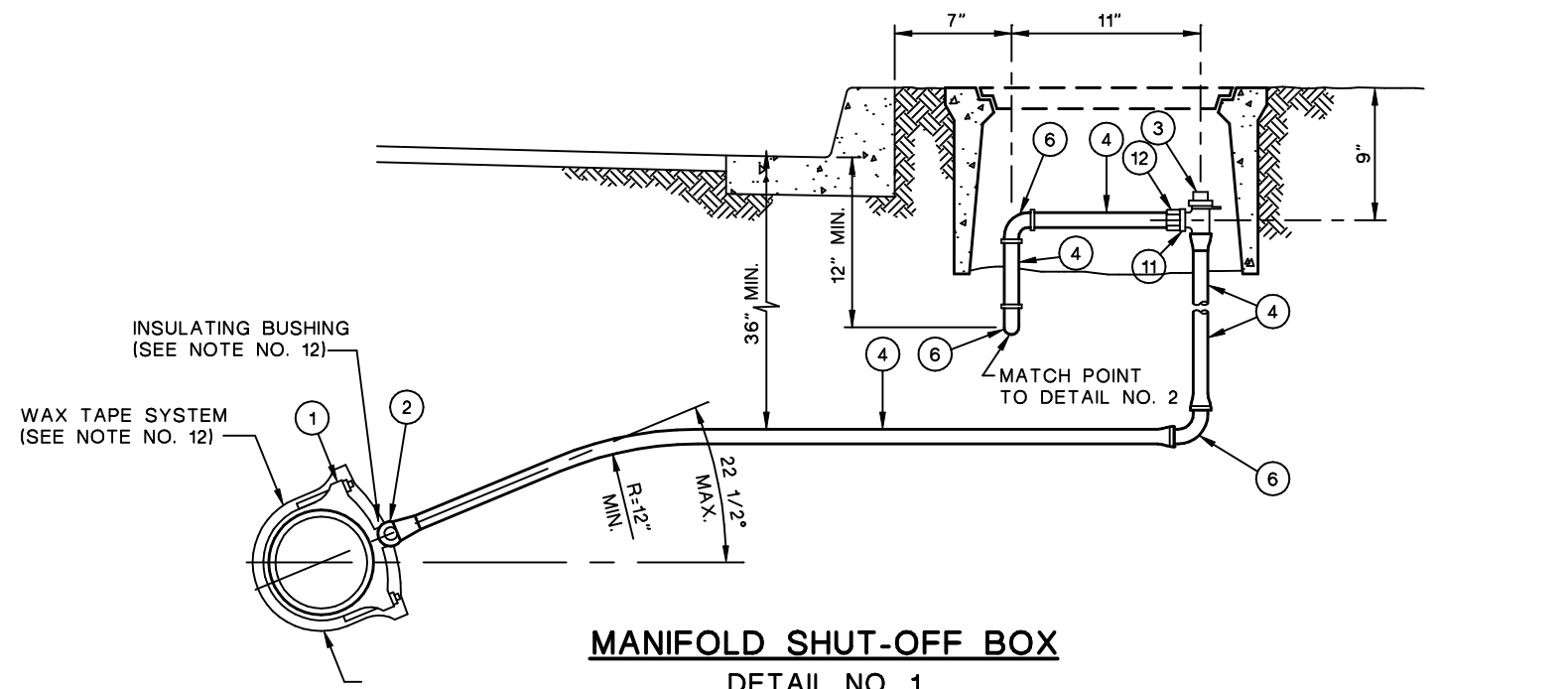


METER BOX INSTALLATION

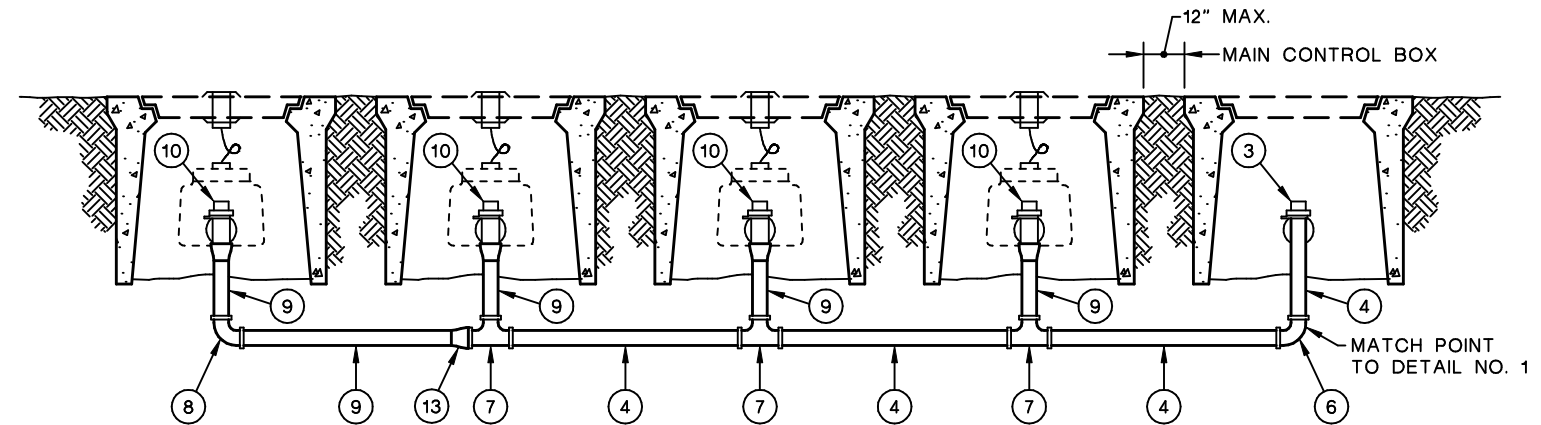
MATERIAL LIST			
ITEM	DESCRIPTION	PIPE	MANUFACTURER
1	SERVICE SADDLE	C-900 DIP	JONES - J-969 FORD - 202BS MUELLER - BR2SIP A.Y. McDONALD 3846 JONES - J-979 FORD - 202B MUELLER - BR2BIP A.Y. McDONALD 3826
2	2" CORPORATION STOP (BALL TYPE)	I.P. THREAD X FLARE	JONES - J-1929 FORD - FB700 MUELLER - B-2505 A.Y. McDONALD 4704B
3	2" CURB STOP	FLARE - GROUND ANGLE METER STOP	JONES - J-1525 FORD - FV23 MUELLER - H-14276
4	2" COPPER TUBING	TYPE "K" SOFT	
5	METER, METER BOX, CUSTOMER VALVE		PURCHASED FROM DISTRICT SET BY CONTRACTOR
6	2" 90° ELBOW	COPPER SWEAT FITTING	
7	2" x 3/4" TEE	COPPER SWEAT FITTING	
8	3/4" 90° ELBOW	COPPER SWEAT FITTING	
9	3/4" COPPER	TYPE "K" SOFT	
10	CURB STOP (BALL TYPE)	FLARE ANGLE METER STOP	JONES - J-1964B FORD - BA23 MUELLER - H-14255 A.Y. McDONALD 4602B
11	2" WATER METER FLANGE	METER FLANGE X F.I.P.	JONES - J-129 FORD - CF31 A.Y. McDONALD 610F
12	2" ADAPTOR MIP X COPPER	COPPER SWEAT FITTING	
13	2" X 3/4" REDUCER		

NOTES

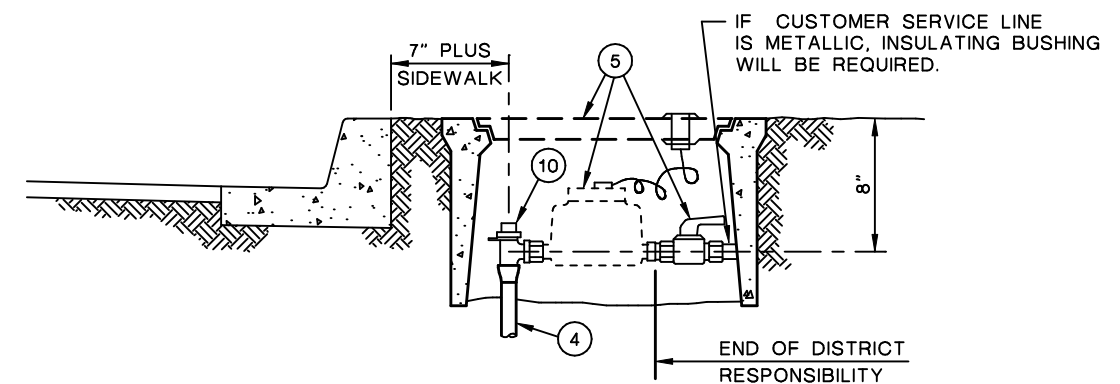
1. THE CORPORATION STOP TAP WILL BE MADE AS RECOMMENDED BY THE MANUFACTURER. ALL DRY TAPS WILL BE MADE BY HOLE SAW WITH GUIDE OR PILOT TAP.
2. THE WATER SERVICE SHALL EXTEND PERPENDICULAR TO THE CENTERLINE OF THE STREET FROM THE WATER MAIN.
3. SINGLE FAMILY RESIDENTIAL METERS SHALL BE LOCATED IN PAIRS AT PROPERTY LINE.
4. WHEEL STOPS REQUIRED TO PREVENT VEHICLES FROM BLOCKING ACCESS TO WATER METERS.
5. METER TO BE CENTERED INSIDE THE METER BOX.
6. NO TAP TO MAIN SHALL BE WITHIN 18" OF A JOINT, FITTING OR ANOTHER TAP.
7. SERVICE SHALL BE BACKFILLED WITH SAND, MIN. (SE 30) 6" BELOW AND ABOVE SERVICE.
8. METER SIZE SHALL BE THE SAME AS THE SERVICE LINE.
9. ALL COPPER FITTINGS SHALL BE SILVER SOLDER.
10. COPPER LINE SHALL BE POLYETHYLENE SLEEVED UNLESS ZINC ANODE SYSTEM IS REQUIRED.
BLUE - DOMESTIC WATER
PURPLE - RECYCLED WATER
11. SEE STD. DWG. W-1 OR W-3 FOR ADDITIONAL REQUIREMENTS IF ZINC ANODE SYSTEM IS REQUIRED.
12. NEW WATER SERVICES SHALL BE ISOLATED FROM STEEL AND DIP PIPELINES. PROVIDE A NYLON INSULATING BUSHING BETWEEN THE SERVICE SADDLE AND THE CORPORATION STOP. THE OUTLET SIZE ON THE SERVICE SADDLE SHALL BE INCREASED 1/2-INCH TO ACCOMMODATE THE BUSHING. WAX TAPE ON BRONZE OR STAINLESS STEEL SADDLE PER SECTION 13110. INSULATING BUSHING AND WAX TAPE REQUIRED FOR STEEL AND DIP MAINS ONLY.



MANIFOLD SHUT-OFF BOX
DETAIL NO. 1



4 METER MANIFOLD
DETAIL NO. 2



METER INSTALLATION

MOULTON NIGUEL WATER DISTRICT

STANDARD WATER METER MANIFOLD

W-2