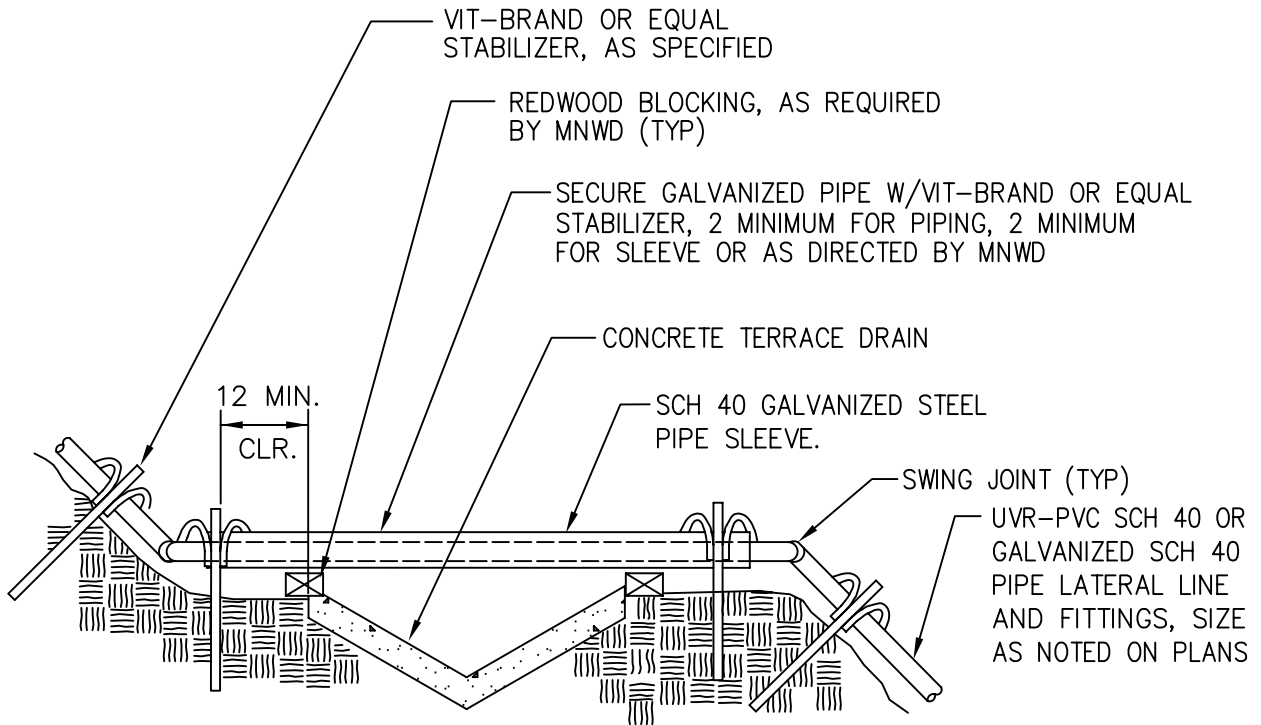


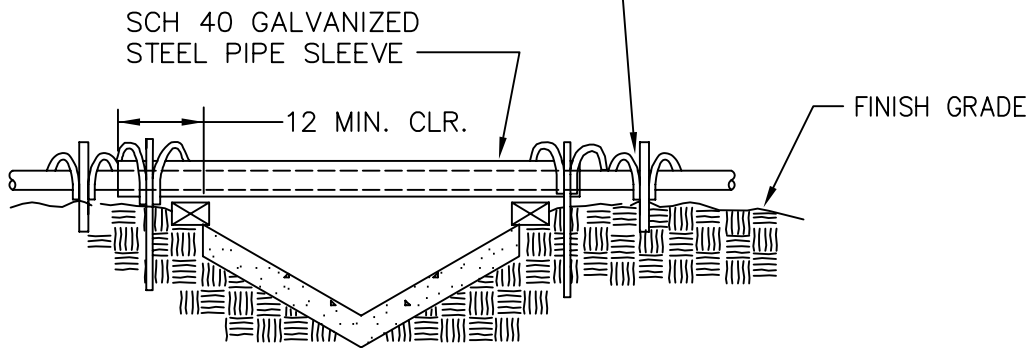
NOTES:

1. EXTEND SCH 40 GALVANIZED STEEL SLEEVES A MINIMUM OF 12 INCHES BEYOND THE EDGE OF THE TERRACE DRAIN TO SUPPORT SLEEVE AND PIPING.
2. ATTACH A MINIMUM OF TWO ABOVE GROUND PIPING IDENTIFICATION LABELS ON GALVANIZED STEEL SLEEVE (SEE DETAIL IRR-26).
3. ALL SCH 40 GALVANIZED PIPE SLEEVING SHALL BE BURR FREE, AND NO SHARP EDGES.
4. ALTERNATE DIRECTION OF STABILIZERS WHEN SECURING PIPING (SEE DETAIL IRR-22).



VERTICAL PIPE RUN

VIT-BRAND OR EQUAL STABILIZER AS SPECIFIED, 2 MINIMUM FOR PIPING, 2 MINIMUM FOR SLEEVE OR AS DIRECTED BY MNWD



HORIZONTAL PIPE RUN

MOULTON NIGUEL WATER DISTRICT	IRR-17
TERRACE DRAIN CROSSING	