

SPECIAL CONSTRUCTION REQUIRED FOR RECYCLED WATER

ZONE

"A" NO RECYCLED WATER LINES PARALLEL TO WATER MAINS SHALL BE PERMITTED IN THIS ZONE WITHOUT APPROVAL FROM COUNTY AND STATE DEPARTMENTS OF HEALTH SERVICES AND THE DISTRICT.

"B" RECYCLED WATER MAIN SHALL BE CONSTRUCTED OF:

1. DUCTILE IRON PIPE WITH HOT DIP BITUMINOUS COATING.
2. DIPPED AND WRAPPED ONE-FOURTH-INCH-THICK WELDED STEEL PIPE.
3. CLASS 200 PRESSURE RATED PLASTIC WATER PIPE (DR 14 PER AWWA C900) OR EQUIVALENT.
4. REINFORCED CONCRETE PRESSURE PIPE, STEEL CYLINDER TYPE, PER AWWA (C300 OR C301 OR C303).

"C" A RECYCLED WATER MAIN SHALL BE CONSTRUCTED OF:

1. DUCTILE IRON PIPE WITH HOT DIP BITUMINOUS COATING.
2. DIPPED AND WRAPPED ONE-FOURTH-INCH-THICK WELDED STEEL PIPE.
3. REINFORCED CONCRETE PRESSURE PIPE, STEEL CYLINDER TYPE, PER AWWA (C300 OR C301 OR C303).

"D" A RECYCLED WATER MAIN SHALL BE CONSTRUCTED OF:

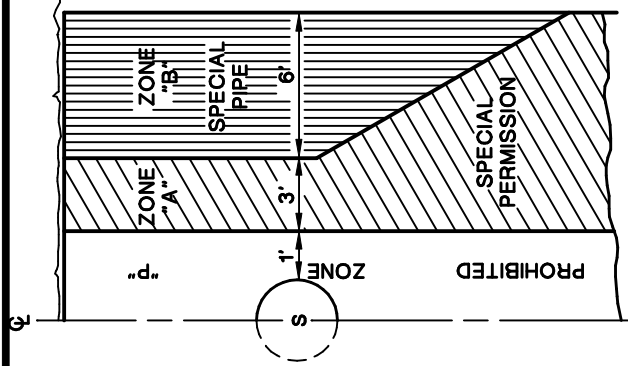
1. DUCTILE IRON PIPE WITH HOT DIP BITUMINOUS COATING.
2. DIPPED AND WRAPPED ONE-FOURTH-INCH-THICK WELDED STEEL PIPE.
3. CLASS 200 PRESSURE RATED PLASTIC WATER PIPE (DR 14 PER AWWA C900) OR EQUIVALENT.
4. REINFORCED CONCRETE PRESSURE PIPE, STEEL CYLINDER TYPE, PER AWWA (C300 OR C301 OR C303).

"P" NO RECYCLED WATER MAIN SHALL BE CONSTRUCTED PER SECTION 64630 (2) CALIFORNIA ADMINISTRATIVE CODE, TITLE 22.

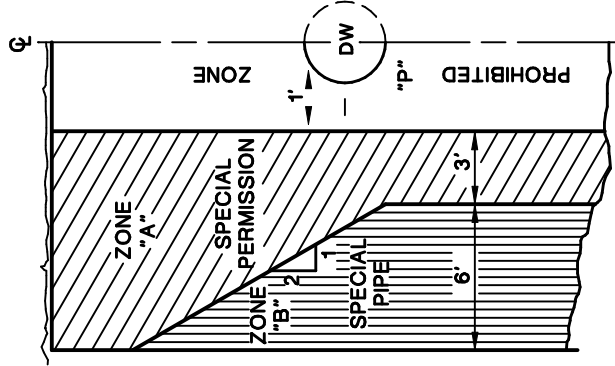
RW = RECYCLED WATER MAIN

BASIC SEPARATION STANDARDS

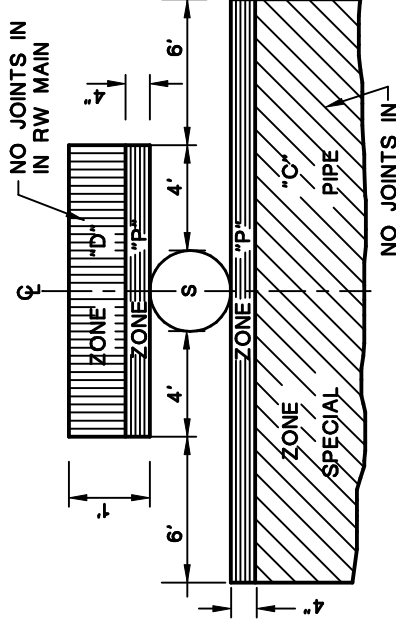
1. PARALLEL CONSTRUCTION: THE HORIZONTAL DISTANCE BETWEEN PRESSURE DOMESTIC WATER AND RECYCLED WATER MAINS AND SEWER LINES SHALL BE AT LEAST 10 FEET.
2. PERPENDICULAR CONSTRUCTION (CROSSING): PRESSURE WATER MAINS SHALL BE AT LEAST ONE FOOT ABOVE SANITARY SEWER AND RECYCLED WATER LINES WHERE THESE LINES MUST CROSS.



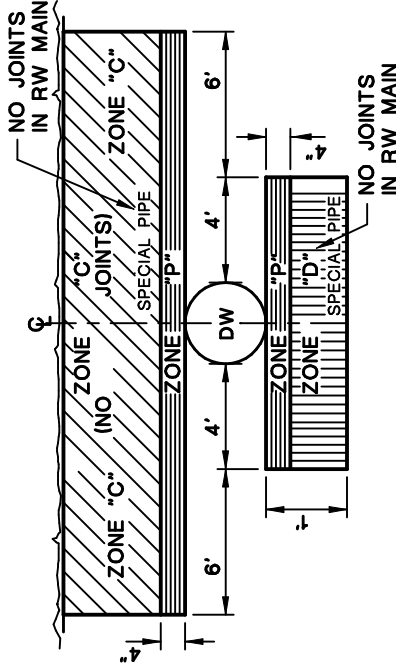
RECYCLED WATER MAIN PARALLEL TO SEWER MAINS



RECYCLED WATER MAIN PARALLEL TO DOMESTIC WATER MAINS



RECYCLED WATER MAIN CROSSING SEWER MAINS



RECYCLED WATER MAIN CROSSING DOMESTIC WATER MAINS

NOTE: "P" IS A PROHIBITED CONSTRUCTION ZONE.

MOULTON NIGUEL WATER DISTRICT

DESIGN CRITERIA FOR SEPARATION OF DOMESTIC WATER AND SEWER MAINS FOR NEW RECYCLED WATER MAINS

RW-1