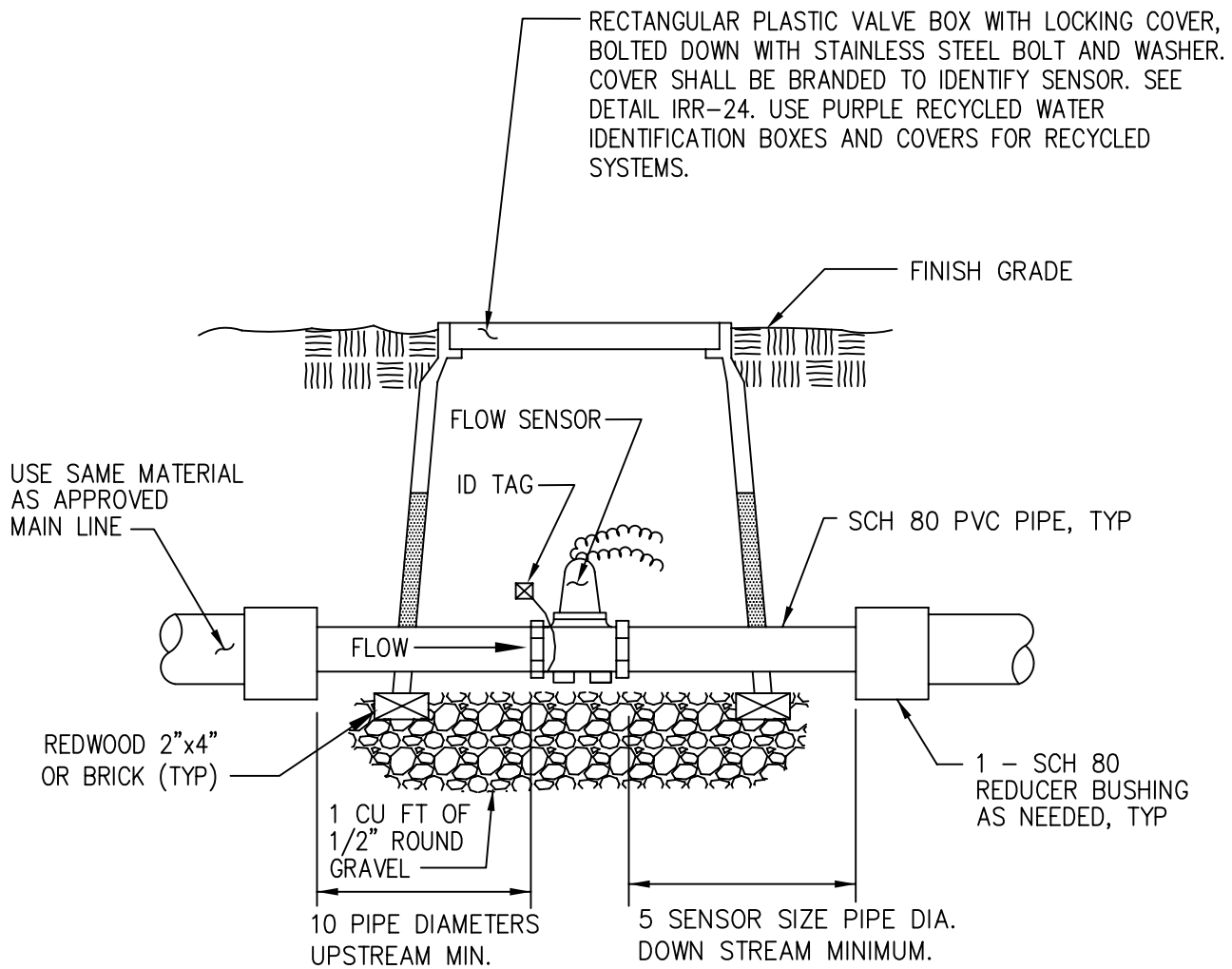


NOTES:

1. ATTACH PURPLE RECYCLED WATER IDENTIFICATION TAGS AS DIRECTED ON RECYCLED SYSTEMS.
2. ATTACH GREEN POTABLE WATER, USED FOR IRRIGATION, IDENTIFICATION TAGS AS DIRECTED ON POTABLE IRRIGATION SYSTEMS.
3. IDENTIFY POTABLE WATER USED FOR IRRIGATION PIPING BY ATTACHING 3" WIDE GREEN IDENTIFICATION TAPE (SEE DETAIL IRR-26).



MANUFACTURERS INSTALLATION INSTRUCTIONS SHALL BE FOLLOWED

MOULTON NIGUEL WATER DISTRICT		IRR-9
FLOW SENSOR		